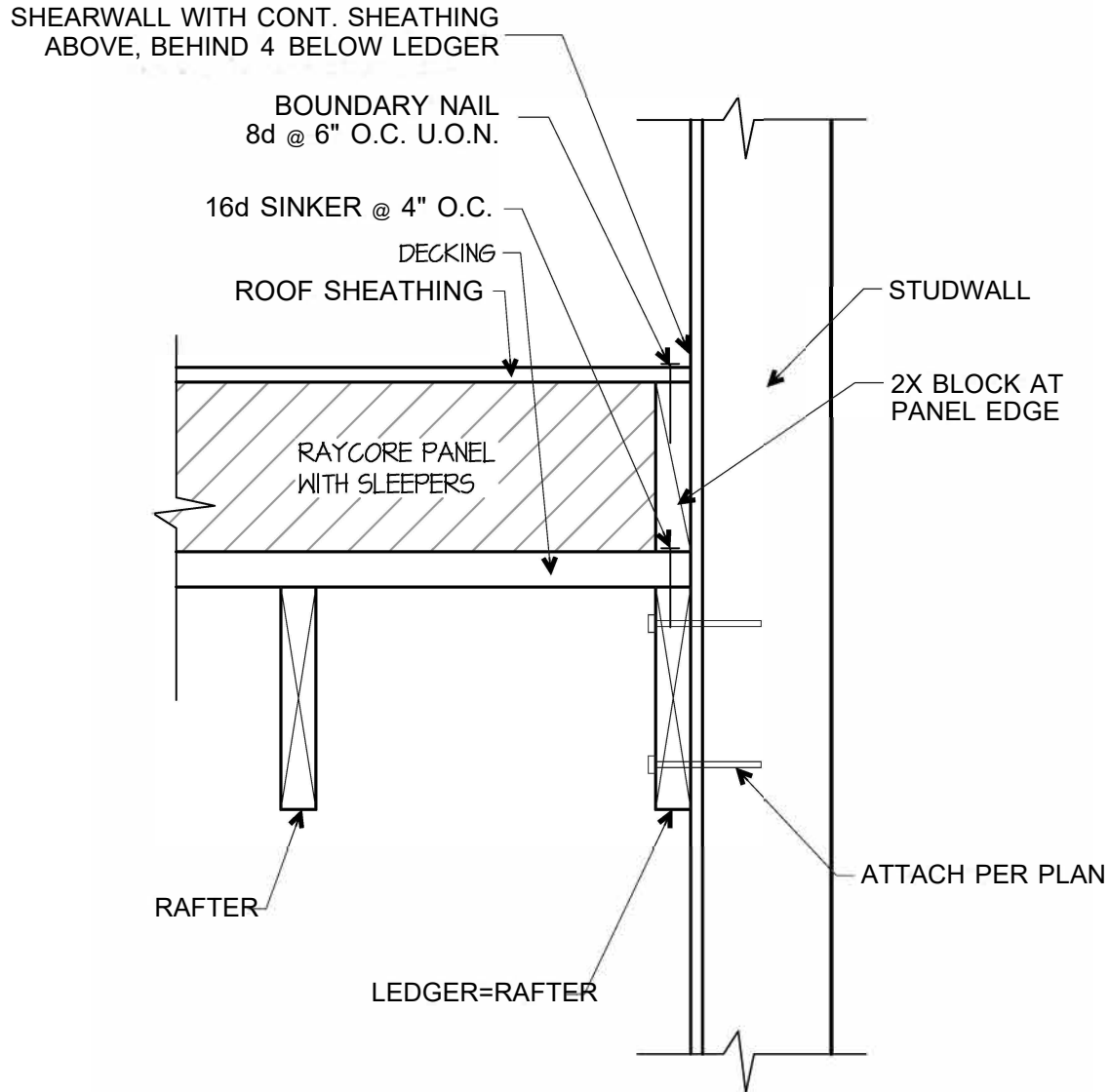


**RAY CORE INC.**  
**ENERGY SAVING ROOF WALL & HEADER SYSTEMS**  
 www.raycore.com  
 305 East Elva Street • Idaho Falls, Idaho 83401  
 877.552.2440 • info@raycore.com  
 Permission granted for RAY-CORE projects only.  
 © RAY-CORE, INC.

DETAIL NO. SF\_R12 Raycore Lower Roof Eave At Wall - US  
 BY KPL/Alpen Engineering, Inc.  
 DATE 2/26/18  
 REVISION DATE \_\_\_\_\_

*STRUCTURAL DETAIL*



**RAYCORE SHEAR TRANSFER LOW  
 ROOF EAVE TO WALL**

**R12**

SCALE: 1-1/2" = 1'-0"

NOTE:

(1) ALL DIMENSIONS ARE IN INCHES UNLESS NOTED OTHERWISE

SF\_R\_RA YCORE LOWER ROOF EAVE AT WALL - US