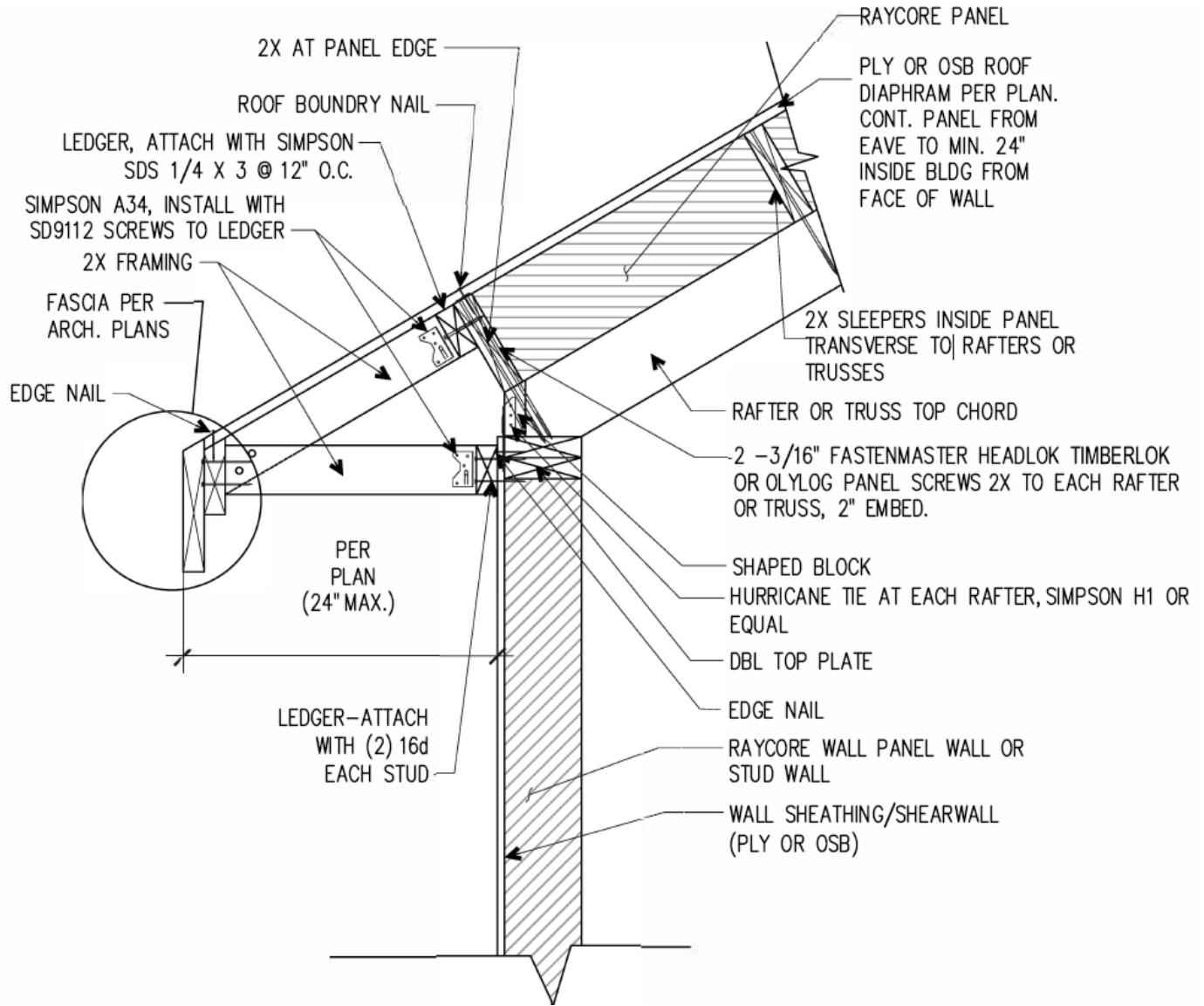


RAY CORE INC.
ENERGY SAVING ROOF WALL & HEADER SYSTEMS
 www.raycore.com
 305 East Elva Street • Idaho Falls, Idaho 83401
 877.552.2440 • info@raycore.com
 Permission granted for RAY-CORE projects only.
 © RAY-CORE, INC.

DETAIL NO. SF_R18 Raycore eaves w panel trans - US
 BY KPL/Alpen Engineering, Inc.
 DATE 2/26/18
 REVISION DATE _____

STRUCTURAL DETAIL



**RAYCORE AT EAVE OVER RAFTERS/TRUSS
 LADDER FRAME**

R18

SCALE: 1" = 1'-0"

SF_R_RAYCORE eaves w panel trans - US

NOTE:

- (1) ALL DIMENSIONS ARE IN INCH UNLESS NOTED OTHERWISE.
- (2) UPLIFT LOADING TO BE CHECKED BY DESIGNER OR ENGINEER FOR PROJECT SPECIFIC CONDITIONS.