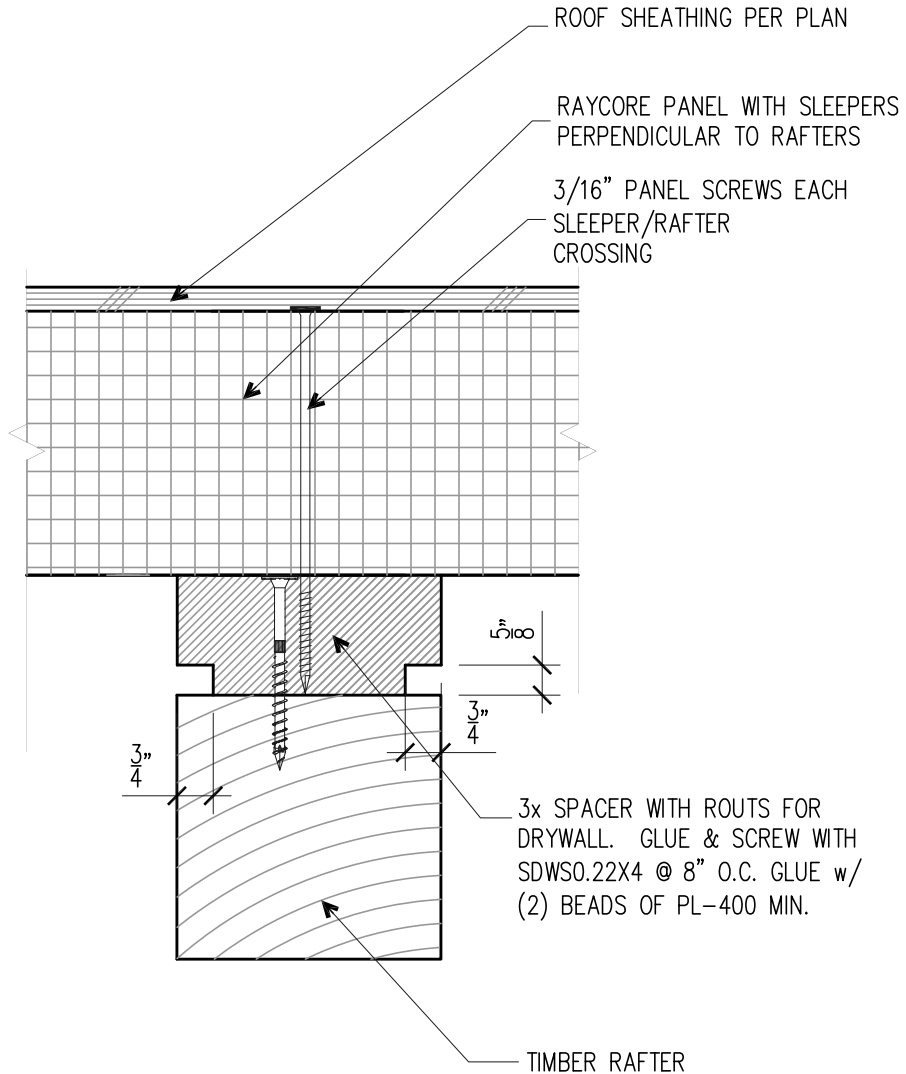


**RAY CORE INC.**  
**ENERGY SAVING ROOF WALL & HEADER SYSTEMS**  
 www.raycore.com  
 305 East Elva Street • Idaho Falls, Idaho 83401  
 877.552.2440 • info@raycore.com  
 Permission granted for RAY-CORE projects only.  
 © RAY-CORE, INC.

DETAIL NO. SF\_R19 Raycore rafter w 3x spacer-US  
 BY KPL  
 DATE 4-20-20  
 REVISION DATE \_\_\_\_\_

*STRUCTURAL DETAIL*



**R19**

**RAYCORE OVER RAFTERS W 3x SPACER**

SCALE: 3" = 1'-0" TF\_R\_Raycore\_ rafter w DWALL SPCR

- (1) ALL DIMENSIONS ARE IN INCHES U.N.O.
- (2) ADDITIONAL SCREWS MAY BE NECESSARY ON PITCHED ROOFS WITH SIGNIFICANT SNOW LOADS. DESIGNER OR ENGINEER SHALL CHECK SCREW SPECIFICATION FOR IN PLANE LOADS FROM SNOW.